



# FT-320



**Normally Open** : This is an energy saving mode. If the system detects intrusion on illegal entry, arms will be auto locked to stop the passenger.

**Normally Close** : FT-320 is in a locked status. System will unlock for passengers to pass through when receiving legal passing signals.

**Energy Saving** : Auto-balanced positioning design requires no power. Smooth movement with low electric power consumption.

**Safety Design** : The arm will auto drop upon receiving fire emergency signal. The personnel can leave safely.

## Product Descriptions ▶

FT-320 is a micro unit CPU tripod turnstile combining delicacy and flexibility. Designed to work with personnel access management system. It is set up at the entry / exit of access controlled area for uni-directional or bi-directional control. FT-320 can connect to recognition systems, monitor systems, coin acceptors, ticket readers, credit card machines and punch clocks..etc.

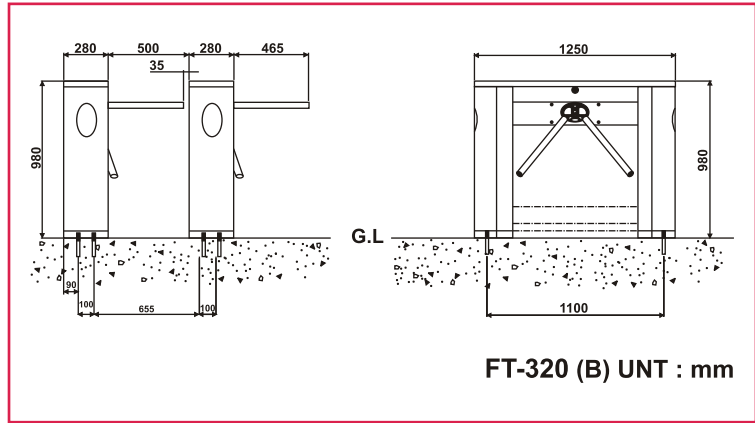
## Product Advantages ▶

- We adopt interactive detection to enhance logical control and to reduce machine movements. This can reduce wear rate and power consumption. The unique mechanical design increases Mean Cycles Between Failure (MCBF) and enables longer service life.
- Single independent electric lock for bi-directional control. Electric lock needs no electricity for regular passage, and thus realizes effective management of electricity. The efficiency of electricity use is remarkably strengthened.
- Auto-balanced positioning design requires no motor power. It saves both energy and maintenance parts.
- Customer can change passage modules and parameter settings to suit for various sites.
- Delicate dropped arm mechanism is not only stable and safe, but also reliable and sustainable.

# FT-320

## Functional Features

- Entry / exit signal input
- Fire alarm / free passage signal input
- Entry / exit status output
- LED traffic light
- Built-in digital counter
- Uni-directional module
- Bi-directional module
- No passage module
- Free passage module
- Buffer time for passing setting
- Alarm sound time setting
- Light display module setting
- Other additional functioning setting
- Auto detection for positioning
- Auto buffering and positioning
- Power : AC100~240V, 50/60Hz, 1PH
- Relative Humidity : 0~85%
- MCBF : >= 1,000,000 cycles
- MTTR : <= 15 Mins
- Passage Width : 500~550mm
- Dimensions : 560(L) X 280(W) X 980(H) mm
- Weight : 55KGS / 50KGS
- Certification : ISO 9001 / CE



FT-320 (B) UNT : mm

### High Speed

Normally open mode can reach 30 people per minute.

### Lower Noise

FT-320 is designed to operate accurately and smoothly. The liquid shock-absorber positioning enables fluent and quiet mechanical movements.

### Passage Module

The bi-directional passage is controlled by control panel. Each direction can be set to different modules as follows:

\*Control module (Only open when receiving signal of legal passing)

\*No Passage module (No passage is permitted.)

\*Free passage module (All passages are allowed to passage.)

### Normally Open & Normally Close Mode

FT-320 can shift between normally open and normally close modes by changing parameters setting. FT-320 will auto lock up after personnel passed when system under normally close mode.

### Power Outage

Users can choose free passage or no passage module during power outage by adjusting solenoid position.

### Traffic Light

Passage is allowed when the light turns green and no passage is permitted when the light turns red. If traffic light flash in red, Please check the system or contact with engineer.

### RS-485

The RS-485 interface facilitates transfer setting and remote control for users.

### Dropped Arm Mechanism

The tripod turnstile will auto drop its arm and become emergency exit passage when receiving power outage or fire alarm inputs.

### LED Passage Lights (Option)

The LED passage lights will guide personnel through the passages when people pass the recognition systems.



### TCP / IP (Option)

Each passage has independent IP address. Users can use TCP / IP to remote control the tripod turnstile.

### Passage Controller (Option)

The passage controller specially made for FT-320 enables function setting and system operation.

Shlara Automation Private Limited

F-3, Sindhuja Complex, No.1, 29th Cross Street,  
Indira Nagar, Adyar, Chennai - 600020.

+91 44495 26386 | Ravi@ShlaraAutomation.Com | www.shlaraautomation.com